



Meaningful Innovation.

WEEE Number: 80133970

INSTRUCTION MANUAL LED FLOOD LIGHT

TECHNICAL DATA

MODEL	VT-48500
SKU	23089, 97212
LUMENS	67500 lm
WATTS	500W
INPUT VOLTAGE	AC: 220-240V, 50Hz
BEAM ANGLE	60°
LIFE SPAN	25,000 Hours
ON/OFF CYCLE	>15,000
DF	>0.9
CRI	>70
MATERIAL	Diecast Aluminium
OPERATION TEMPERATURE	-20°C to +45°C
DIMENSION	530x65x523mm

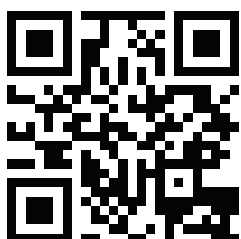
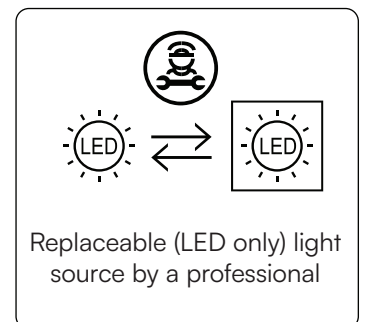


1 METER WIRE

*This product contains a light source of energy efficiency class<D>, where <D> shall be replaced by the energy class of the contained light source.

INTRODUCTION & WARRANTY

Thank you for selecting and buying V-TAC product. V-TAC will serve you the best. Please read these instructions carefully before starting the installation and keep this manual handy for future reference. If you have any another query, please contact our dealer or local vendor from whom you have purchased the product. They are trained and ready to serve you at the best. The warranty is valid for 2 years from the date of purchase. The warranty does not apply to damage caused by incorrect installation or abnormal wear and tear. The company gives no warranty against damage to any surface due to incorrect removal and installation of the product. The products are suitable for 10-12 Hours Daily operation. Usage of product for 24 Hours a day would void the warranty. This product is warranted for manufacturing defects only.



MULTI-LANGUAGE MANUAL QR CODE

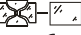
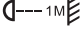
Please scan the QR code to access the manual in multiple languages.

SUPER BRIGHT
135+
LM/WATT EFFICIENCY

IP65
RATING

02 YEAR
WARRANTY*

WARNING

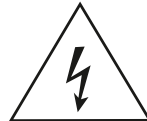
- Please make sure to turn off the power before starting the installation.
- Installation must be performed by a qualified electrician.
- The light source of this luminaire is not replaceable, when the light source reaches its end of life the whole luminaire should be replaced.
- If the external flexible cable or cord of this luminaire is damaged, it shall be exclusively replaced by the manufacturer or his service agent or a similar qualified person in order to avoid a hazard.
- Terminal block not included.
- Proper grounding should be ensured throughout the installation.
- For outdoor use.
- Replace any cracked protective shield. 
- Minimum distance from lighted objects 1m. 

NOTE

- To reduce the risk of strangulation the flexible wiring connected to this luminaire shall be effectively fixed to the wall if the wiring is within arm's reach.
- In order to maintain the IP protection of the product, the cable entry/gland should be installed on the bottom side.



This marking indicates that this product should not be disposed of with other household wastes.

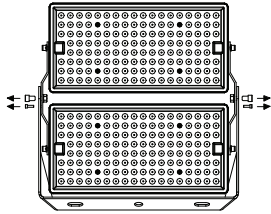
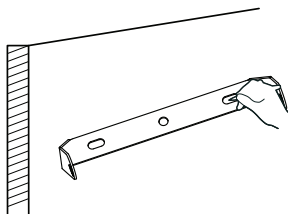
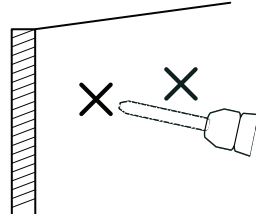
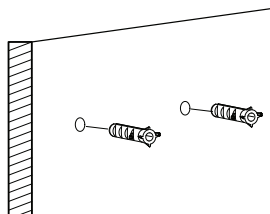
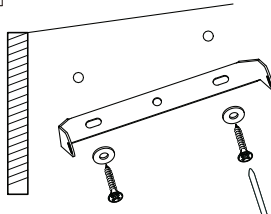
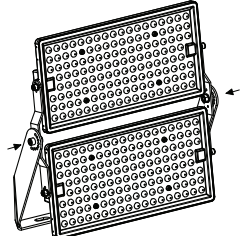
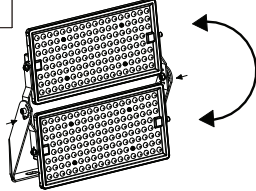
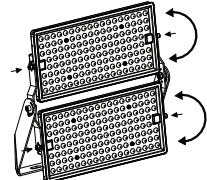
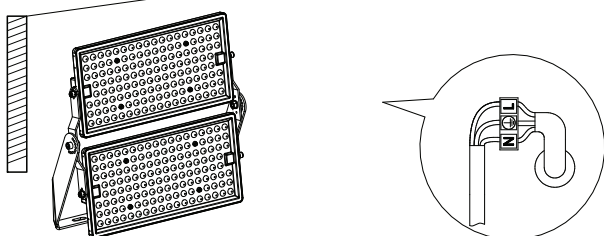


Caution, risk of electric shock.



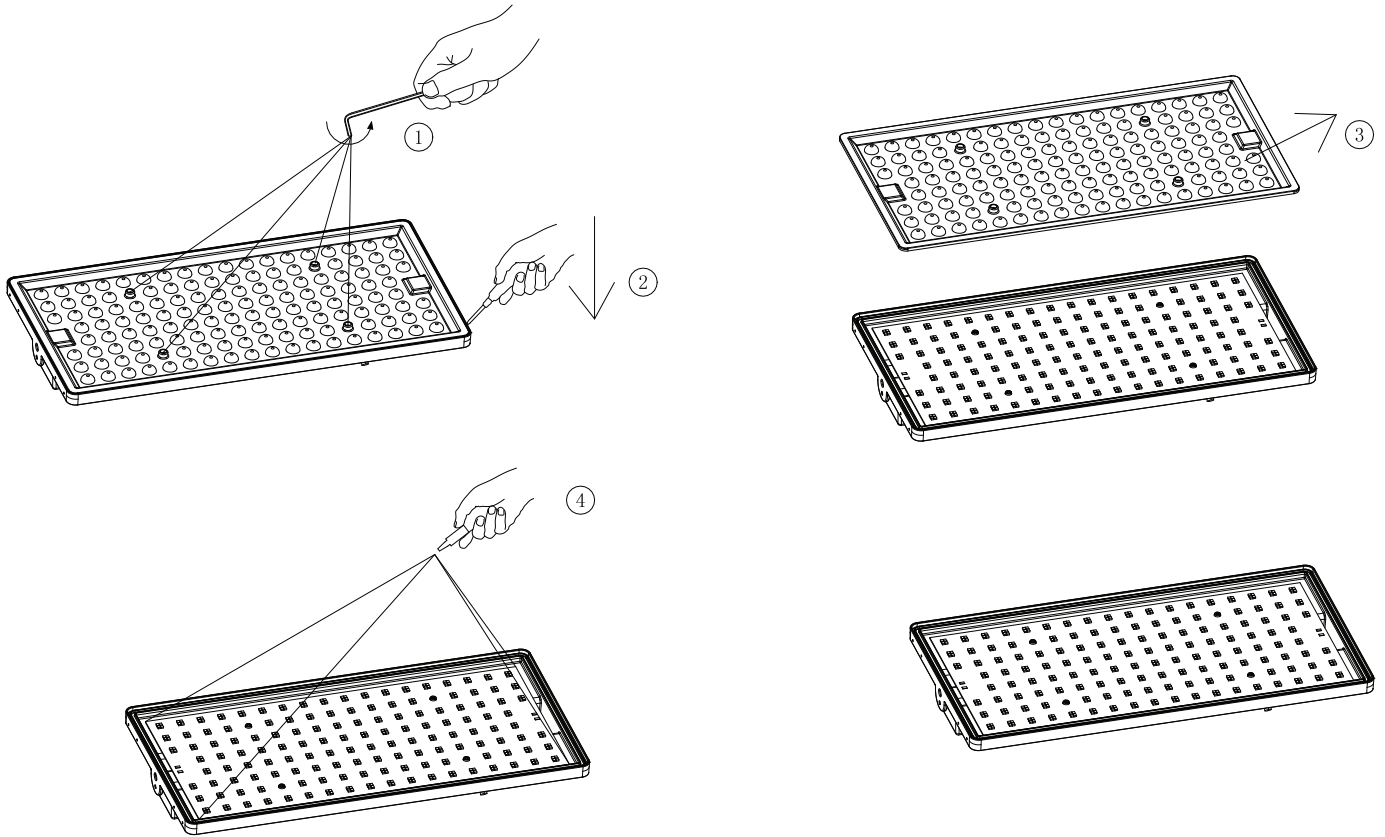
Points de collecte sur www.quefairedemesdechets.fr
Privilégiez la réparation ou le don de votre appareil !

INSTALLATION DIAGRAM

<p>1</p>  <p>1. Loosen the screws to remove the bracket.</p>	<p>2</p>  <p>2. Determine installation location.</p>	<p>3</p>  <p>3. Punching holes on building surfaces with drills.</p>	<p>4</p>  <p>4. Insert Wall plug.</p>
<p>5</p>  <p>5. Fixed bracket.</p>	<p>6</p>  <p>6. Install the lamp body and lock the bracket screws.</p>	<p>7</p>  <p>7. Adjust the angle of the entire lamp, with an adjustable angle of 0-180° and a grid adjustment of 22.5°. After adjusting the angle, tighten the angle adjustment screw and bracket fixing bolt.</p>	<p>8</p>  <p>8. Adjust the angle of the single lamp, with an adjustable angle of -60° to +60°, and a single grid adjustment of 30°. After adjusting the angle, lock the angle adjustment screw and bracket fixing bolt.</p>
<p>9</p>  <p>9. The input line is connected to the "L" live wire in brown, the "N" zero wire in blue, and the yellow green wire is connected to the ground wire. After connecting the wires, it is necessary to use insulation tape and waterproof tape for insulation and waterproofing treatment. It is recommended to use a professional waterproof junction box</p>			

DISMANTLING INSTRUCTIONS

(For Market surveillance team only)



Note: Light source removal will void the warranty

V-TAC WEST EUROPE LTD. IN CASE OF ANY QUERY/ISSUE WITH THE PRODUCT, PLEASE REACH OUT TO US AT: SUPPORT@V-TAC.EU
FOR MORE PRODUCTS RANGE, INQUIRY PLEASE CONTACT OUR DISTRIBUTOR OR NEAREST DEALERS.
V-TAC WEST EUROPE LTD. GROUND FLOOR, 71 LOWER BAGGOT STREET, DUBLIN O2, IRELAND DO2 P593

V-TAC UK LTD. IN CASE OF ANY QUERY/ISSUE WITH THE PRODUCT PLEASE REACH OUT TO US AT
SUPPORT@VTACEXPORTS.COM V-TAC, 5A TUNGSTEN PARK, DOWNS ROAD, WITNEY, OXFORDSHIRE, OX29 0AX

